

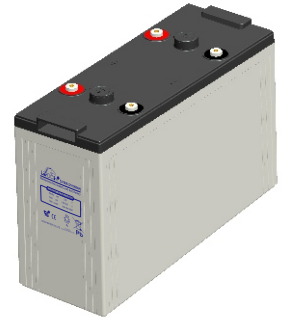


常规系列 (General purpose) DJ1000(2V1000Ah)

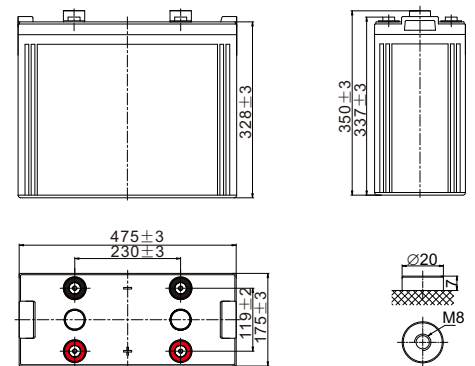


规格 Specifications

额定电压 Rated Voltage	2V	
标称容量 Nominal Capacity(C ₁₀ , 1.80V/cell)	1000Ah	
尺寸 Dimension	长 Length	475±3mm (16.14 in.)
	宽 Width	175±3mm (6.89 in.)
	高 Container Height	328±3mm (12.99 in.)
	总高(含端子) Total Height	350±3mm (13.78 in.)
重量 Approx Weight	60.0 Kg (111.11 lbs)	
端子 Terminal	M8	
外壳材料 Container Material	ABS	
额定容量 Rated Capacity (25°C)	1060.0Ah	C20(53.0A, 1.80V/cell)
	1000.0Ah	C10(100.0A, 1.80V/cell)
	875.0Ah	C5(175.0A, 1.75V/cell)
	780.0Ah	C3(260.0A, 1.75V/cell)
	600.0Ah	C1(600.0A, 1.67V/cell)
5S最大放电电流 Max. Discharge Current	8000A (5s)	
内阻 Internal Resistance (25°C)	Approx 0.30mΩ	
运行温度 Operating Temp. Range	放电 Discharge	-20 ~ 55°C (-4 ~ 131°F)
	充电 Charge	0 ~ 40°C (32 ~ 104°F)
	存储 Storage	-15 ~ 50°C (5 ~ 122°F)
推荐温度 Nominal Operating Temp. Range	25±5°C (77±5°F)	
最大充电电流(25°C) Max. Charging Current	300.0A	
充电电压(25°C) Charge voltage	浮充 Float	2.25V
	温度补偿 Temp. Coefficient	-3mV/单格/°C
	循环(均充) Cycle(Equalization)	2.35~2.40V
温度对容量影响 Effect of temp. to Capacity	40°C (104°F)	106%
	25°C (77°F)	100%
	0°C (32°F)	86%
自放电 Self Discharge	≤3%/月 @ 25°C	



外形 Layout



恒流放电表(A) 25°C Constant Current Discharge

F.V/Time	30min	45min	1h	1.5h	2h	3h	4h	5h	6h	8h	10h	20h
1.85V/cell	713.9	564.4	494.0	379.8	307.7	234.1	188.3	158.9	137.9	112.1	93.7	50.2
1.80V/cell	807.1	631.1	546.7	415.5	334.7	253.2	202.9	171.1	147.9	120.0	100.0	53.0
1.75V/cell	843.5	656.8	566.9	429.5	345.0	260.0	208.0	175.0	151.0	122.2	101.6	53.7
1.70V/cell	880.7	681.7	587.7	444.0	356.0	267.6	213.2	179.0	154.3	124.4	103.1	54.4
1.67V/cell	903.0	697.0	600.0	452.0	362.0	271.6	216.2	181.2	156.1	125.6	104.0	54.8
1.60V/cell	954.0	733.0	629.2	472.2	377.0	281.6	223.4	186.8	160.5	128.6	106.3	55.7

恒功率放电表(W) 25°C Constant Power Discharge

F.V/Time	30min	45min	1h	1.5h	2h	3h	4h	5h	6h	8h	10h	20h
1.85V/cell	1379.7	1094.4	960.2	740.5	601.3	458.9	370.0	312.7	271.9	221.5	185.4	99.9
1.80V/cell	1546.8	1214.8	1055.5	805.6	650.9	494.5	397.4	335.8	290.9	236.6	197.6	105.3
1.75V/cell	1603.0	1254.4	1086.8	827.6	667.2	505.5	405.8	342.4	296.2	240.5	200.3	106.6
1.70V/cell	1658.4	1291.8	1118.9	850.4	684.9	517.9	414.6	349.2	301.8	244.2	203.1	107.8
1.67V/cell	1691.2	1314.2	1136.8	862.5	693.9	524.2	419.3	352.8	304.8	246.4	204.7	108.6
1.60V/cell	1763.9	1367.5	1180.9	893.6	717.5	540.4	431.1	362.0	312.1	251.5	208.5	110.4



常规系列 (General purpose) DJ1000(2V1000Ah)



应用 Applications

- 通讯
Telecommunications
- UPS、数据机房
UPS、Data Rooms
- 紧急照明、安防
Emergency Lighting、Security
- 储能、电力
Energy Storage、Electric Systems
- 新能源系统
New Energy Systems

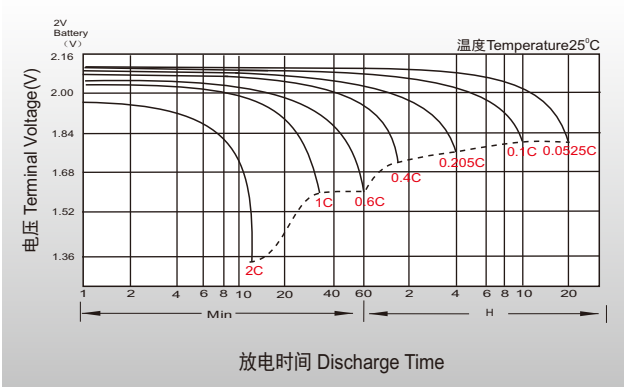
特征 General Features

- 25°C下，设计浮充寿命可达16年。
Under 25°C, the designed floating life is up to 16 years.
- 特殊的排气结构和密封技术,使用安全可靠,安装灵活,维护便捷。
Special exhaust structure and sealing technology, safe and reliable, flexible installation, convenient maintenance.

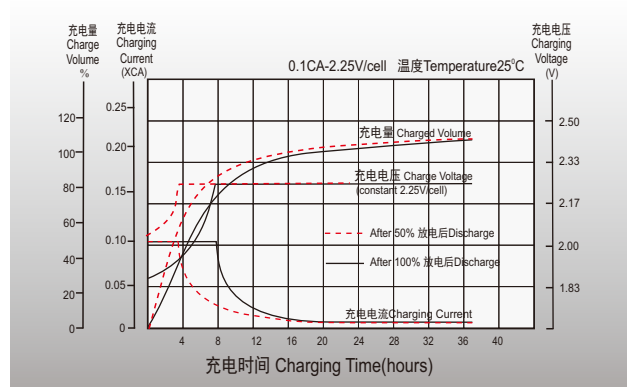
标准 Standards

- 符合IEC 60896, GB/T19638, YD/T 799和DL/T 637标准
Compliance with IEC 60896,GB/T19638, YD/T 799 and DL/T 637 standards
- UL认证, 泰尔认证
UL Certified, TLC Certified
- 企业通过了TS16949, OHSAS 18001, ISO 9001和ISO 14001体系认证
Manufactured in Leoch@TS16949, OHSAS 18001, ISO 9001 and ISO 14001 certified production facilities

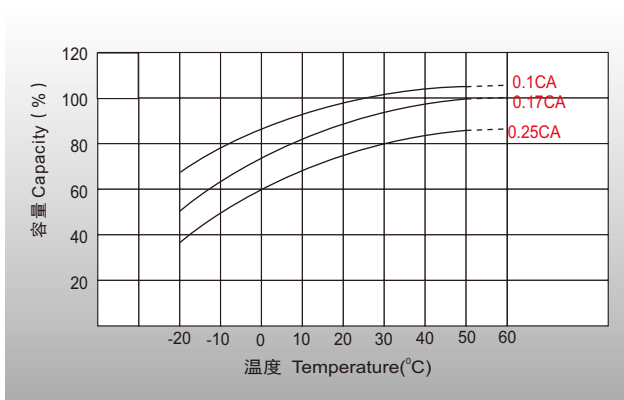
放电特性曲线 Discharge Characteristics



浮充特性曲线 Float Charging Characteristics



温度对容量影响 Temperature Effects in Relation to Battery Capacity



温度对浮充寿命影响 Temperature Effects on Long Term Float Life

