



常规系列 (General purpose) DJW12-7.0(12V7.0Ah)

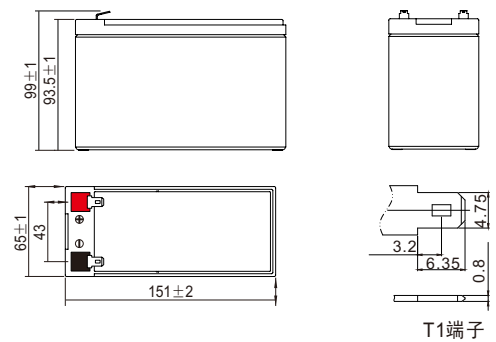


规格 Specifications

额定电压 Rated Voltage	12V	
标称容量 Nominal Capacity(C ₂₀ ,1.80V/cell)	7.0 Ah	
尺寸 Dimension	长 Length	151±2mm (5.94 in.)
	宽 Width	65±1mm (2.56 in.)
	高 Container Height	93.5±1mm (3.68 in.)
	总高(含端子) Total Height	99.5±1mm (3.90 in.)
重量 Approx Weight	2.17 Kg (4.78 lbs)	
端子 Terminal	T1/T2	
外壳材料 Container Material	ABS	
额定容量 Rated Capacity (25°C)	7.00 Ah	C20(0.350A,1.80V/cell)
	6.53 Ah	C10(0.653A,1.80V/cell)
	5.80 Ah	C5(1.160A,1.75V/cell)
	5.13 Ah	C3(1.710A,1.75V/cell)
	4.17 Ah	C1(4.170A,1.67V/cell)
5S最大放电电流 Max. Discharge Current	105A (5s)	
内阻 Internal Resistance (25°C)	Approx 25.0mΩ	
运行温度 Operating Temp.Range	放电 Discharge	-20 ~ 55°C (-4 ~ 131°F)
	充电 Charge	0 ~ 40°C (32 ~ 104°F)
	存储 Storage	-15 ~ 50°C (5 ~ 122°F)
推荐温度 Nominal Operating Temp. Range	25±5°C (77±5°F)	
最大充电电流(25°C)Max.Charging Current	2.1A	
充电电压(25°C) Charge voltage	浮充 Float	13.5~13.8V
	温度补偿 Temp. Coefficient	-3mV/单格/°C
	循环(均充) Cycle(Equalization)	14.1~14.4V
温度对容量影响 Effect of temp. to Capacity	40°C (104°F)	106%
	25°C (77°F)	100%
	0°C (32°F)	86%
自放电 Self Discharge	≤3%/月 @ 25°C	



外形 Layout



恒流放电表(A) 25 °C Constant Current Discharge

F.V/Time	5min	10min	15min	20min	30min	45min	1h	1.5h	2h	3h	4h	5h	6h	8h	10h	20h
1.85V/cell	16.0	11.7	9.97	8.46	6.17	4.52	3.60	2.69	2.14	1.60	1.30	1.10	0.95	0.76	0.626	0.343
1.80V/cell	19.2	13.7	11.3	9.20	6.65	4.80	3.83	2.83	2.24	1.66	1.35	1.14	0.99	0.78	0.653	0.350
1.75V/cell	21.5	14.9	12.0	9.70	6.92	4.99	3.98	2.93	2.31	1.71	1.38	1.16	1.01	0.80	0.663	0.357
1.70V/cell	23.4	15.9	12.8	10.2	7.18	5.12	4.05	2.98	2.36	1.75	1.41	1.19	1.03	0.81	0.672	0.361
1.67V/cell	25.5	16.8	13.4	10.6	7.43	5.28	4.17	3.06	2.40	1.77	1.43	1.21	1.04	0.82	0.680	0.365
1.60V/cell	26.8	17.6	13.8	10.9	7.64	5.42	4.26	3.11	2.46	1.81	1.46	1.23	1.06	0.84	0.690	0.371

恒功率放电表(W) 25 °C Constant Power Discharge

F.V/Time	5min	10min	15min	20min	30min	45min	1h	1.5h	2h	3h	4h	5h	6h	8h	10h	20h
1.85V/cell	30.3	22.3	19.2	16.4	12.0	8.86	7.09	5.30	4.23	3.17	2.59	2.20	1.91	1.52	1.260	0.694
1.80V/cell	35.9	25.8	21.5	17.7	12.9	9.37	7.52	5.56	4.42	3.30	2.69	2.27	1.97	1.57	1.310	0.704
1.75V/cell	39.8	28.0	22.8	18.6	13.4	9.72	7.79	5.74	4.55	3.37	2.74	2.31	2.00	1.59	1.330	0.716
1.70V/cell	42.8	29.5	24.0	19.3	13.8	9.89	7.88	5.79	4.61	3.42	2.78	2.34	2.03	1.61	1.330	0.718
1.67V/cell	45.7	30.7	24.8	19.8	14.1	10.1	8.02	5.88	4.65	3.45	2.80	2.36	2.05	1.62	1.340	0.720
1.60V/cell	47.0	31.5	25.1	20.1	14.3	10.3	8.13	5.93	4.73	3.50	2.83	2.39	2.07	1.63	1.350	0.728



常规系列 (General purpose) DJW12-7.0(12V7.0Ah)



应用 Applications

- 通讯
Telecommunications
- UPS、数据中心
UPS、Data Center
- 储能、电力
Energy Storage、Electric Systems
- 紧急照明、安防
Emergency Lighting、Security
- 医疗、电子设备
Medical、Electronic Equipment
- 动力
Motive Power

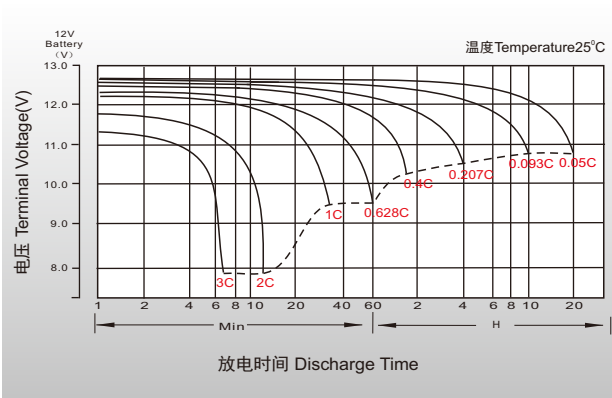
特征 General Features

- 25°C下，设计浮充寿命可达5年。
Under 25°C, the designed floating life is up to 5 years.
- 特殊的排气结构和密封技术,使用安全可靠,安装灵活,维护便捷。
Special exhaust structure and sealing technology, safe and reliable, flexible installation, convenient maintenance.

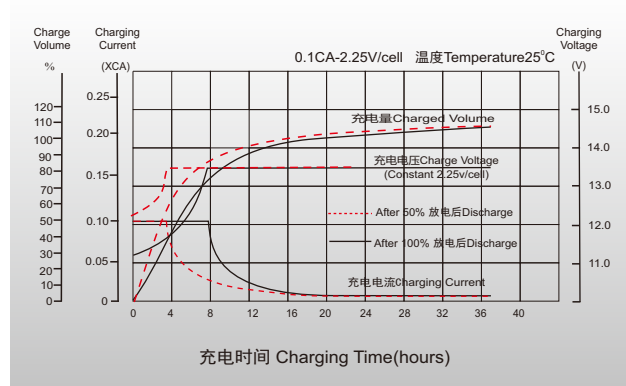
标准 Standards

- 符合IEC 61056, GB/T19639
Compliance with IEC 61056,GB/T19639
- UL 认证
UL Certified
- 企业通过了IATF16949,OHSAS 18001, ISO 9001和ISO 14001体系认证
Manufactured in Leoch@IATF16949, OHSAS 18001,ISO 9001 and ISO 14001 certified production facilities

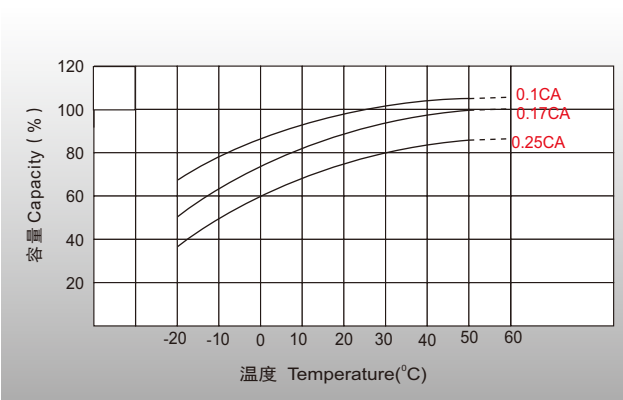
放电特性曲线 Discharge Characteristics



浮充特性曲线 Float Charging Characteristics



温度对容量影响 Temperature Effects in Relation to Battery Capacity



温度对浮充寿命影响 Temperature Effects on Long Term Float Life

