



# 常规系列 (General purpose) DJW12-9.0(12V9Ah)

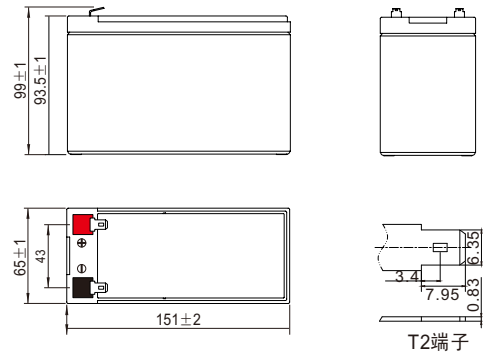


## 规格 Specifications

额定电压 Rated Voltage	12V	
标称容量 Nominal Capacity(C <sub>20</sub> ,1.80V/cell)	9Ah	
尺寸 Dimension	长 Length	151±2mm (5.95 in.)
	宽 Width	65±1mm (2.56 in.)
	高 Container Height	93.5±1mm (3.68 in.)
	总高(含端子) Total Height	99.5±1mm (3.90 in.)
重量 Approx Weight	2.66 Kg (5.9 lbs)	
端子 Terminal	T1/T2	
外壳材料 Container Material	ABS	
额定容量 Rated Capacity (25°C)	9.00 Ah	C20(0.450A,1.80V/cell)
	8.40Ah	C10(0.840A,1.80V/cell)
	7.50 Ah	C5(1.50A,1.75V/cell)
	6.57 Ah	C3(2.19A,1.75V/cell)
	5.36 Ah	C1(5.36A,1.67V/cell)
5S最大放电电流 Max. Discharge Current	132A (5s)	
内阻 Internal Resistance (25°C)	Approx 15.0mΩ	
运行温度 Operating Temp.Range	放电 Discharge	-20 ~ 55°C (-4 ~ 131°F)
	充电 Charge	0 ~ 40°C (32 ~ 104°F)
	存储 Storage	-15 ~ 50°C (5 ~ 122°F)
推荐温度 Nominal Operating Temp. Range	25±5°C (77±5°F)	
最大充电电流(25°C)Max.Charging Current	2.64A	
充电电压(25°C) Charge voltage	浮充 Float	13.6~13.8V
	温度补偿 Temp. Coefficient	-3mV/单格/°C
	循环(均充) Cycle(Equalization)	14.1~14.4V
温度对容量影响 Effect of temp. to Capacity	40°C (104°F)	106%
	25°C (77°F)	100%
	0°C (32°F)	86%
自放电 Self Discharge	≤3%/月 @ 25°C	



## 外形 Layout



## 恒流放电表(A) 25 °C Constant Current Discharge

F.V/Time	5min	10min	15min	20min	30min	45min	1h	1.5h	2h	3h	4h	5h	6h	8h	10h	20h
1.85V/cell	20.6	15.0	12.8	10.9	7.94	5.81	4.64	3.47	2.75	2.05	1.67	1.42	1.23	0.972	0.806	0.442
1.80V/cell	24.8	17.6	14.5	11.8	8.56	6.17	4.92	3.63	2.88	2.14	1.74	1.46	1.27	1.01	0.840	0.450
1.75V/cell	27.6	19.2	15.5	12.5	8.89	6.42	5.11	3.77	2.98	2.19	1.78	1.50	1.29	1.02	0.853	0.460
1.70V/cell	30.2	20.5	16.4	13.1	9.24	6.59	5.21	3.83	3.04	2.24	1.81	1.52	1.32	1.04	0.864	0.465
1.67V/cell	32.7	21.6	17.2	13.6	9.56	6.80	5.36	3.93	3.09	2.28	1.85	1.55	1.34	1.06	0.874	0.469
1.60V/cell	34.4	22.7	17.8	14.1	9.83	6.98	5.47	3.99	3.17	2.33	1.88	1.59	1.37	1.08	0.887	0.478

## 恒功率放电表(W) 25 °C Constant Power Discharge

F.V/Time	5min	10min	15min	20min	30min	45min	1h	1.5h	2h	3h	4h	5h	6h	8h	10h	20h
1.85V/cell	38.1	28.1	24.1	20.7	15.2	11.1	8.91	6.66	5.31	3.99	3.25	2.76	2.40	1.91	1.58	0.872
1.80V/cell	45.2	32.5	27.0	22.3	16.2	11.8	9.46	6.99	5.57	4.15	3.39	2.85	2.49	1.97	1.64	0.886
1.75V/cell	50.1	35.2	28.6	23.3	16.8	12.2	9.80	7.22	5.71	4.24	3.44	2.92	2.52	1.99	1.66	0.900
1.70V/cell	53.8	37.1	30.1	24.3	17.3	12.4	9.90	7.27	5.80	4.29	3.49	2.95	2.54	2.02	1.67	0.902
1.67V/cell	57.5	38.6	31.1	25.0	17.7	12.7	10.1	7.38	5.84	4.33	3.52	2.97	2.57	2.03	1.68	0.904
1.60V/cell	59.1	39.5	31.6	25.3	17.9	12.9	10.2	7.46	5.94	4.40	3.55	3.00	2.61	2.05	1.70	0.915



# 常规系列 (General purpose) DJW12-9.0(12V9Ah)



## 应用 Applications

- 通讯  
Telecommunications
- UPS、数据中心  
UPS、Data Center
- 储能、电力  
Energy Storage、Electric Systems
- 紧急照明、安防  
Emergency Lighting、Security
- 医疗、电子设备  
Medical、Electronic Equipment
- 动力  
Motive Power

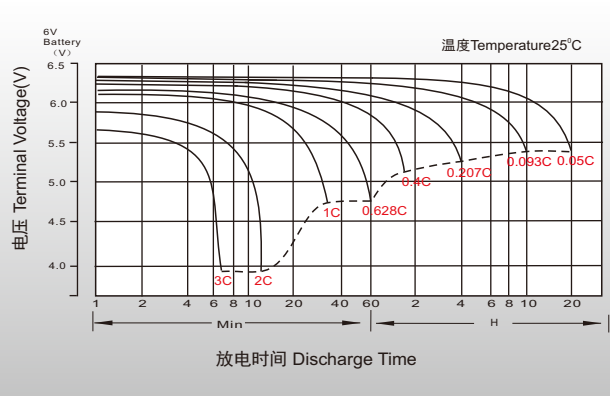
## 特征 General Features

- 25°C下，设计浮充寿命可达5年。  
Under 25°C, the designed floating life is up to 5 years.
- 特殊的排气结构和密封技术,使用安全可靠,安装灵活,维护便捷。  
Special exhaust structure and sealing technology, safe and reliable, flexible installation, convenient maintenance.

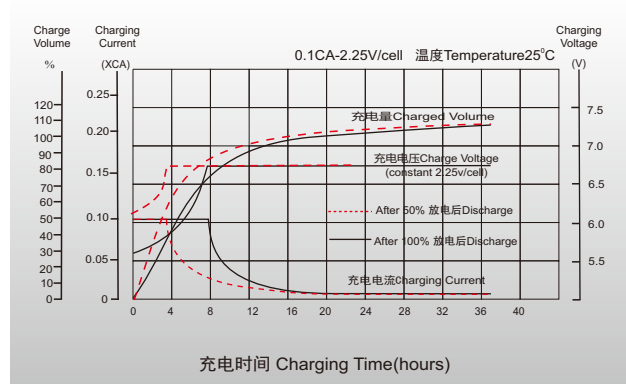
## 标准 Standards

- 符合IEC 61056, GB/T19639  
Compliance with IEC 61056,GB/T19639
- UL 认证  
UL Certified
- 企业通过了TS16949,OHSAS 18001, ISO 9001和ISO 14001体系认证  
Manufactured in Leoch@TS16949, OHSAS 18001,ISO 9001 and ISO 14001 certified production facilities

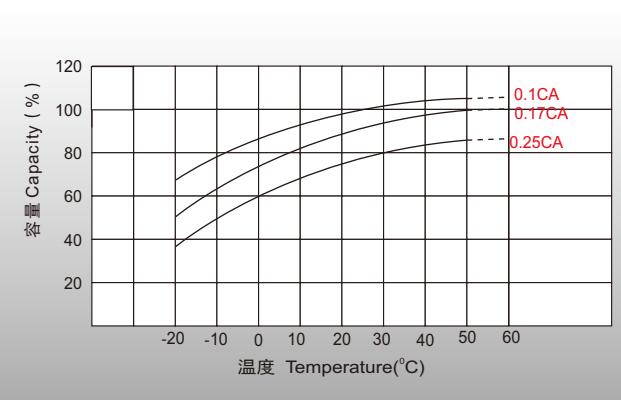
## 放电特性曲线 Discharge Characteristics



## 浮充特性曲线 Float Charging Characteristics



## 温度对容量影响 Temperature Effects in Relation to Battery Capacity



## 温度对浮充寿命影响 Temperature Effects on Long Term Float Life

