



# 常规系列 (General purpose) DJW12-33(12V33Ah)

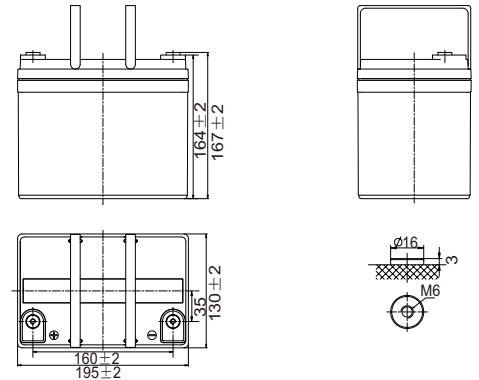


## 规格 Specifications

额定电压 Rated Voltage	12V	
标称容量 Nominal Capacity(C <sub>20</sub> , 1.80V/cell)	33Ah	
尺寸 Dimension	长 Length	195±2mm (7.68 in.)
	宽 Width	130±2mm (5.12 in.)
	高 Container Height	164±2mm (6.46 in.)
	总高(含端子) Total Height	167±2mm (6.57 in.)
重量 Approx Weight	10.5 Kg (23.1 lbs)	
端子 Terminal	M6	
外壳材料 Container Material	ABS	
额定容量 Rated Capacity (25°C)	33.00 Ah	C20(1.65A, 1.80V/cell)
	30.70 Ah	C10(3.07A, 1.80V/cell)
	28.40 Ah	C5(5.68A, 1.75V/cell)
	26.04 Ah	C3(8.68A, 1.75V/cell)
	21.20 Ah	C1(21.2A, 1.67V/cell)
5S最大放电电流 Max. Discharge Current	495A (5s)	
内阻 Internal Resistance (25°C)	Approx 13.0mΩ	
运行温度 Operating Temp. Range	放电 Discharge	-20 ~ 55°C (-4 ~ 131°F)
	充电 Charge	0 ~ 40°C (32 ~ 104°F)
	存储 Storage	-15 ~ 50°C (5 ~ 122°F)
推荐温度 Nominal Operating Temp. Range	25±5°C (77±5°F)	
最大充电电流 (25°C) Max. Charging Current	9.9A	
充电电压 (25°C) Charge voltage	浮充 Float	13.5~13.8V
	温度补偿 Temp. Coefficient	-3mV/单格/°C
	循环(均充) Cycle(Equalization)	14.1~14.4V
温度对容量影响 Effect of temp. to Capacity	40°C (104°F)	106%
	25°C (77°F)	100%
	0°C (32°F)	86%
自放电 Self Discharge	≤3%/月 @ 25°C	



## 外形 Layout



## 恒流放电表(A) 25 °C Constant Current Discharge

F.V/Time	5min	10min	15min	20min	30min	45min	1h	1.5h	2h	3h	4h	5h	6h	8h	10h	20h
1.85V/cell	82.8	57.2	45.2	37.0	27.8	20.6	17.4	13.0	10.4	7.81	6.18	5.15	4.43	3.51	2.88	1.56
1.80V/cell	96.6	67.4	52.6	42.6	31.4	23.0	19.3	14.3	11.4	8.45	6.66	5.55	4.75	3.76	3.07	1.65
1.75V/cell	105.4	72.3	55.6	44.7	32.9	24.0	20.0	14.7	11.7	8.68	6.83	5.68	4.85	3.83	3.12	1.67
1.70V/cell	114.1	77.1	58.8	47.0	34.3	24.9	20.8	15.2	12.1	8.93	7.00	5.81	4.96	3.90	3.17	1.69
1.67V/cell	119.2	79.9	60.7	48.3	35.2	25.4	21.2	15.5	12.3	9.07	7.10	5.88	5.01	3.94	3.19	1.70
1.60V/cell	131.3	86.5	65.0	51.5	37.2	26.8	22.2	16.2	12.8	9.40	7.34	6.06	5.16	4.03	3.26	1.74

## 恒功率放电表(W) 25 °C Constant Power Discharge

F.V/Time	5min	10min	15min	20min	30min	45min	1h	1.5h	2h	3h	4h	5h	6h	8h	10h	20h
1.85V/cell	157.8	109.5	86.9	71.2	53.7	40.0	33.9	25.4	20.4	15.3	12.2	10.1	8.74	6.94	5.69	3.11
1.80V/cell	181.6	127.7	100.1	81.3	60.2	44.4	37.3	27.7	22.1	16.5	13.1	10.9	9.35	7.42	6.06	3.28
1.75V/cell	195.6	135.4	104.8	84.5	62.4	45.8	38.4	28.4	22.6	16.9	13.3	11.1	9.51	7.54	6.15	3.32
1.70V/cell	209.1	142.7	109.6	88.0	64.6	47.2	39.5	29.2	23.2	17.3	13.6	11.3	9.70	7.66	6.23	3.36
1.67V/cell	216.4	146.9	113.1	89.9	65.9	48.0	40.1	29.6	23.5	17.5	13.8	11.4	9.79	7.73	6.28	3.38
1.60V/cell	235.8	157.2	118.5	94.4	68.8	49.9	41.7	30.7	24.3	18.0	14.2	11.7	10.0	7.88	6.40	3.44



# 常规系列 (General purpose) DJW12-33(12V33Ah)



## 应用 Applications

- 通讯  
Telecommunications
- UPS、数据中心  
UPS、Data Center
- 储能、电力  
Energy Storage、Electric Systems
- 紧急照明、安防  
Emergency Lighting、Security
- 医疗、电子设备  
Medical、Electronic Equipment
- 动力  
Motive Power

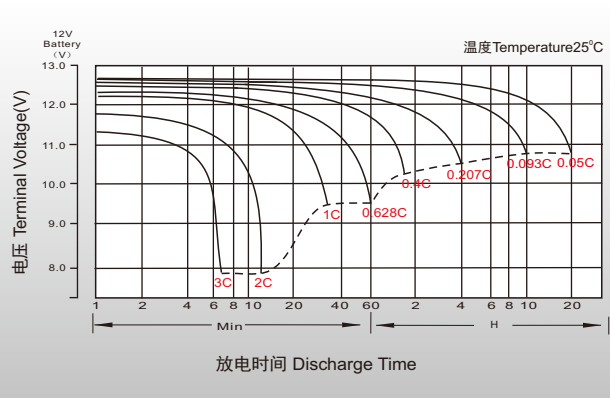
## 特征 General Features

- 25°C下，设计浮充寿命可达5年。  
Under 25°C, the designed floating life is up to 5 years.
- 特殊的排气结构和密封技术, 使用安全可靠, 安装灵活, 维护便捷。  
Special exhaust structure and sealing technology, safe and reliable, flexible installation, convenient maintenance.

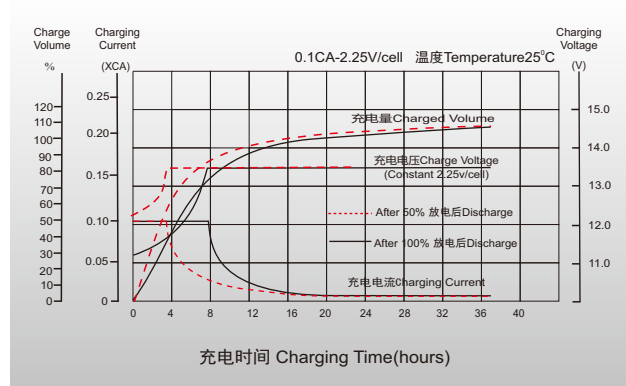
## 标准 Standards

- 符合IEC 61056, GB/T19639  
Compliance with IEC 61056, GB/T19639
- UL 认证  
UL Certified
- 企业通过了IATF16949,OHSAS 18001, ISO 9001和ISO 14001体系认证  
Manufactured in Leoch@IATF16949, OHSAS 18001, ISO 9001 and ISO 14001 certified production facilities

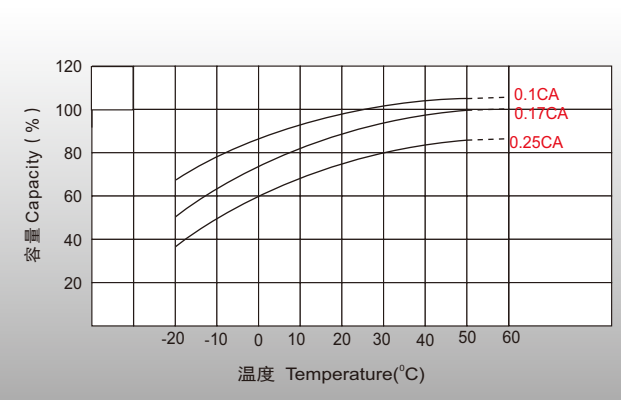
## 放电特性曲线 Discharge Characteristics



## 浮充特性曲线 Float Charging Characteristics



## 温度对容量影响 Temperature Effects in Relation to Battery Capacity



## 温度对浮充寿命影响 Temperature Effects on Long Term Float Life

