

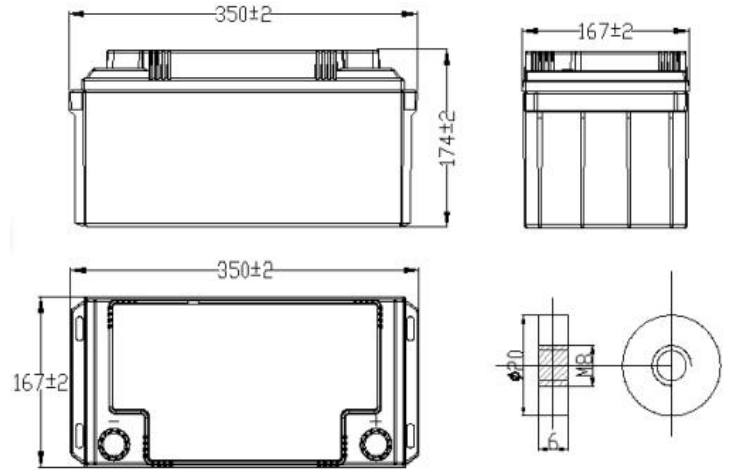
SN12065 12V65AH



铅酸蓄电池参数表



电池外形尺寸 (±2mm)



电池标准

标称电压	12V	
标称容量 (20hr)	65AH	
外形尺寸	长	350±2mm(13.77inch)
	宽	167±2mm(6.57inch)
	高	174±2mm(6.81inch)
	总高	174±2mm(6.81inch)
重量	Approx.18.1±3%kg(41.00lbs)	
端子	M8嵌入式铜芯端子	
内阻	Approx.12±15% Ω	
最大放电电流	500A(5S)	
浮充期待寿命	8~10年 (20~25℃)	

电池特性

容量(25℃)	62.0Ah	(20hr, 1.70V/cell, 25℃/77°F)
	59.0Ah	(10hr, 1.75V/cell, 25℃/77°F)
	46.5Ah	(3hr, 1.70V/cell, 25℃/77°F)
	34.2Ah	(1hr, 1.60V/cell, 25℃/77°F)
环境温度对容量的影响	40℃	103%
	25℃	100%
	0℃	86%
	-15℃	65%
自放电	3个月	Remaining capacity: 91%
	6个月	Remaining capacity: 82%
	12个月	Remaining capacity: 65%

恒功率参数 (25℃(77°F))

F.V/Time	5min	10min	15min	20min	30min	45min	1h	2h	3h	4h	5h	6h	8h	10h	20h
1.85V/cell	186.4	158.4	133.6	115.9	98.1	71.2	66.7	37.7	29.4	22.0	17.3	15.5	13.0	10.2	6.15
1.80V/cell	203.3	169.4	140.4	128.0	101.3	73.8	68.8	38.3	30.8	22.5	18.0	16.4	13.6	11.3	6.19
1.75V/cell	229.9	190.0	150.5	131.4	104.9	75.0	70.1	40.2	31.4	22.8	18.5	16.6	13.8	11.5	6.20
1.70V/cell	256.7	205.0	161.7	138.3	107.3	76.2	71.6	41.6	31.9	23.1	18.6	16.7	13.9	11.5	6.20
1.65V/cell	273.8	210.4	165.1	140.7	108.6	76.9	73.1	42.8	32.2	23.2	18.8	16.9	14.0	11.6	6.21
1.60V/cell	278.7	212.9	166.7	141.4	109.8	78.9	74.1	42.9	32.7	23.4	19.4	17.0	14.0	11.6	6.21

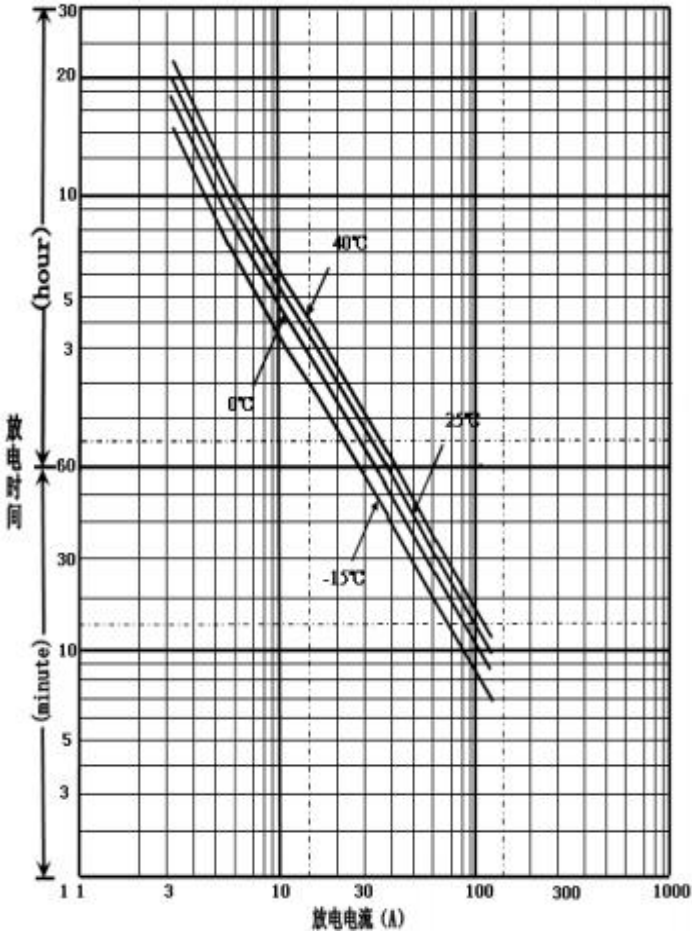
恒流参数 (25℃(77°F))

F.V/Time	5min	10min	15min	20min	30min	45min	1h	2h	3h	4h	5h	6h	8h	10h	20h
1.85V/cell	140.6	119.0	90.1	71.6	54.1	31.5	33.9	18.3	15.4	11.1	9.13	8.32	6.08	5.88	3.09
1.80V/cell	147.3	119.9	91.5	72.5	55.0	36.6	34.8	18.7	15.5	11.3	9.32	8.35	6.46	5.90	3.10
1.75V/cell	148.8	120.8	92.9	73.3	55.9	38.0	35.4	19.2	15.6	11.5	9.50	8.38	6.55	5.92	3.10
1.70V/cell	150.9	121.7	94.2	74.1	56.8	39.5	35.9	19.7	15.9	11.8	9.68	8.46	6.64	5.92	3.11
1.65V/cell	161.7	122.5	96.1	75.0	57.6	40.4	36.3	20.2	16.1	11.8	9.87	8.60	6.78	5.92	3.11
1.60V/cell	172.5	123.4	97.1	75.8	58.5	42.2	37.6	20.6	16.6	12.2	10.0	8.65	6.83	5.93	3.11

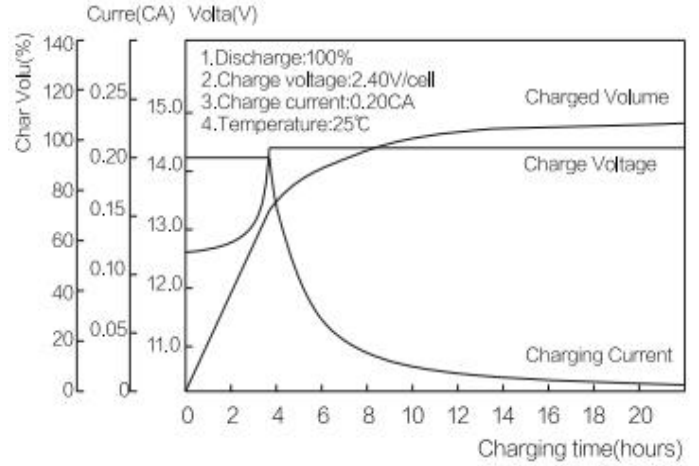
以上参数仅供参考，偏差范围±5%。

SN12065 12V65AH 铅酸蓄电池参数表

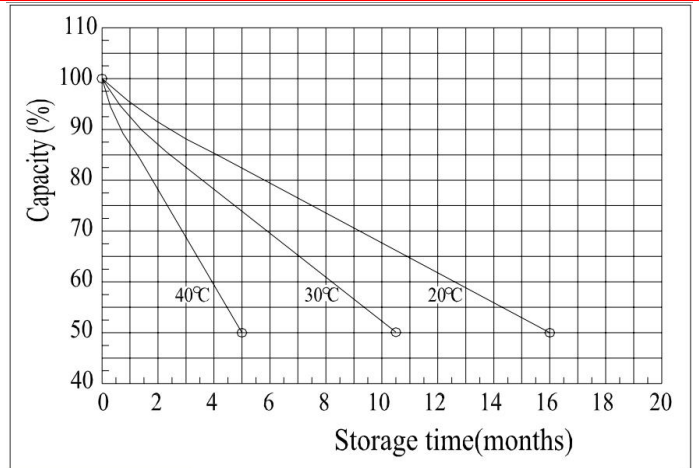
放电特性



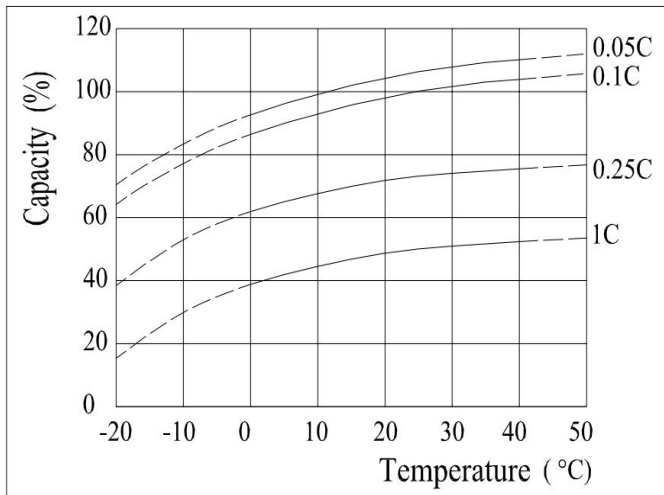
充电特性



自放电特性 (25°C (77°F))



温度对容量的影响



深度放电与循环寿命

