

Powered by



# UXL12V200AH ▶ 12V200Ah

UXL系列采用阀控密封氧复合技术,特殊的耐腐蚀合金,高强度AGM隔板,高纯度材料使电池自放电小,寿命长.

UXL series uses valve control sealed oxygen composite technology, special corrosion resistant alloy, high strength AGM separator, high purity material to make the battery self-discharge is small, long service life.



目录Table of contents

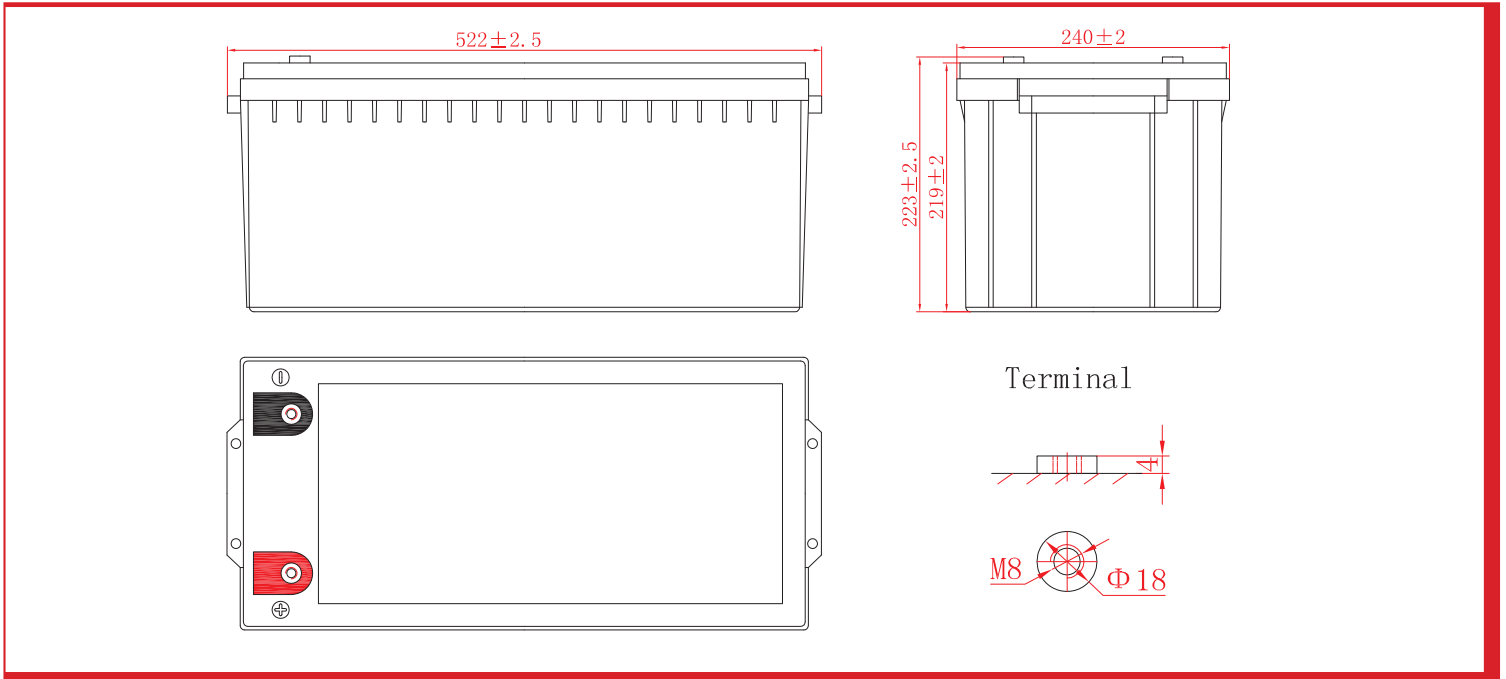
额定电压 Rated Voltage	12
额定容量Nominal Capacity(C10@1.8V@25°C)	200Ah
重量Approx Weight	58.5kg ±3%(93.7lbs)
最大放电电流Max. Discharge Current	1650A(5S)
内阻Internal Resistance(25°C)	2.8mΩ
工作温度范围Operating Temp. Range	放电Discharge:-15°C~50°C(5°F~122°F) 充电Charge:-15°C~40°C(5°F~104°F) 储存Storage:-15°C~40°C(5°F~104°F)
推荐工作温度Nominal Operating Temp. Range	25°C±3°C(77°F±5°F)
最大充电电流Max.Charging Current(25°C)	50A
浮充电压Float voltage	13.5~13.8V@25°C(77°F)
均充电压Equalizing voltage	14.1~14.4V@25°C(77°F)
端子Terminal	M8
外壳材质Container Material	ABS(UL 94-V0)(UL 94-HB)



IT1548HL06061801



尺寸Dimension :	长Length	宽Width	高Container Height	总高Total Height
单位unit: mm	480±2.5	170±1.5	242±2.5	242±2.5



恒流放电表 Constant current discharge meter 单位 Unit: 安培 A(25°C/77°F)

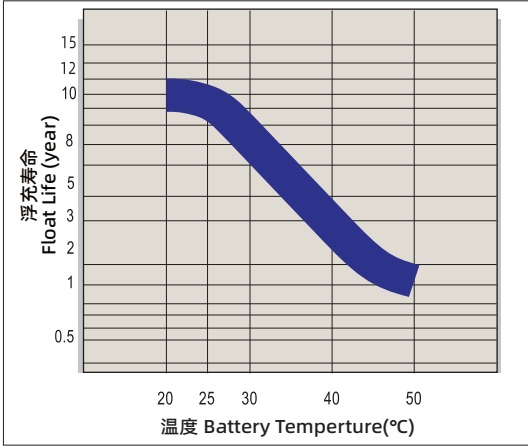
F.V/Time	30min	45min	1h	3h	5h	8h	10h	20h
1.60V	211	155	127	53.8	35.8	24.6	20.4	10.9
1.67V	206	152	126	52.7	35.6	24.6	20.4	10.9
1.70V	204	151	124	52.7	35.4	24.5	20.4	10.9
1.75V	197	146	120	51.6	34.8	24.3	20.3	10.8
1.80V	188	141	115	49.5	33.9	23.9	20.0	10.6
1.85V	175	134	106	46.2	31.5	22.8	19.1	10.2

恒功率放电表 Constant power discharge meter 单位Unit: 瓦特/单格 W/cell(25°C/77°F)

F.V/Time	30min	45min	1h	3h	5h	8h	10h	20h
1.60V	348	259	216	100	69.9	48.2	40.2	21.5
1.67V	339	253	214	98.9	69.7	48.0	40.2	21.4
1.70V	328	247	212	98.9	69.5	47.9	40.1	21.3
1.75V	310	234	206	96.8	68.6	47.4	39.8	21.1
1.80V	287	219	201	93.6	66.7	46.7	39.1	20.8
1.85V	257	198	189	87.1	62.7	45.1	38.0	20.2

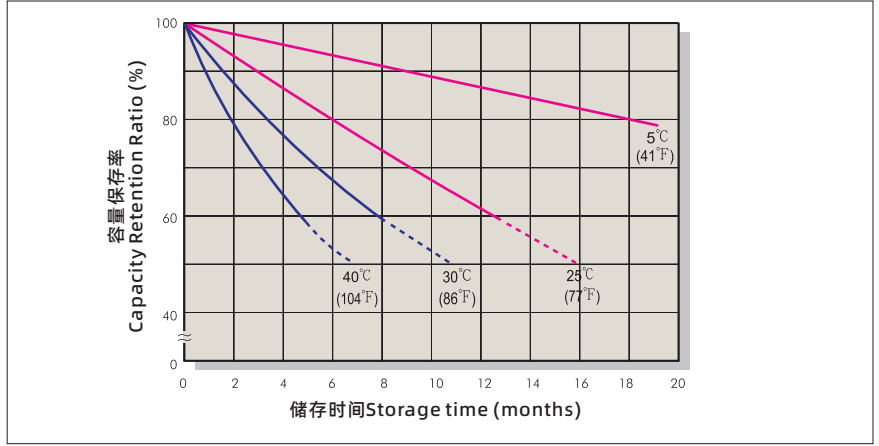
温度对浮充寿命的影响

Temperature Effects on Long Term Float Life



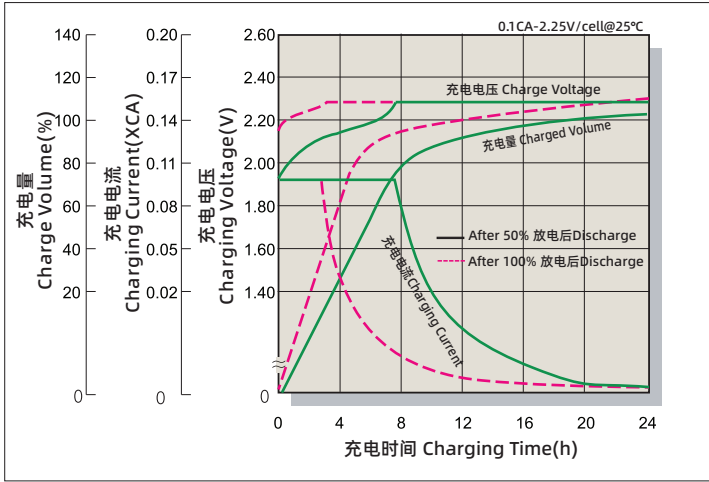
温度对容量的影响

The effect of temperature on capacity



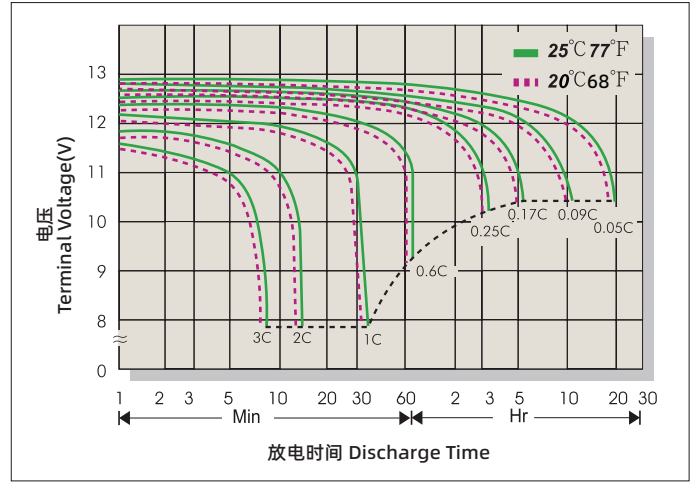
浮充特性曲线

Float Charging Characteristics



放电特性曲线

Discharge Characteristics



温度对容量的影响

The effect of temperature on capacity(10HR)

温度Temperature	容量Capacity(10HR)
40°C	103%
25°C	100%
0°C	85%
-15°C	65%

自放电特性

Self-discharge characteristics

存放时间Storage time	剩余容量The remaining capacity
3月months	91%
6月months	82%
12月months	64%

应用 Applications

- 通讯 Telecommunications
- UPS、数据机房 UPS、Data Rooms
- 紧急照明、安防 Emergency Lighting、Security
- 储能、电力 Energy Storage、Electric Systems
- 新能源系统 New Energy Systems

Baace生产的电池阀控式铅酸蓄电池通过UL认证 (UL2000)

Baace-manufactured VRLA(Absorbent Glass Mat type)batteries are UL-recognized Components under UL1989.

Baace也通过了认证ISO 9001和ISO 14001。

Baace is also certified by ISO 9001 and ISO 14001.

## 江西恒力电池科技有限公司

JIANGXI HENGLI TECHNOLOGY BATTERY CO.,LTD.

地址:江西省抚州市抚北工业园广银大道